

IMPORTANT

Engineering Bulletin #109 Car Top Encoder Box Manufacturing Problem

O. Thompson Co.

84-00 73rd Ave. Unit F

Glendale NY 11385

(718) 417-3131

(718) 417-9075 fax

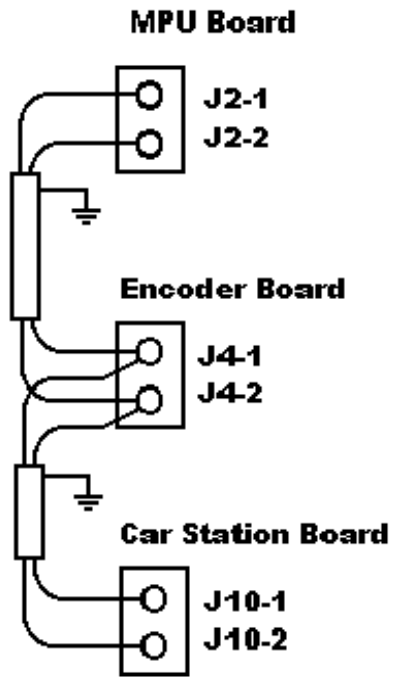
Car Top Encoder Box Manufacturing Problem

We have found that a number of Encoder boxes that were received from our vendor had the cut out for the plug to the reader assembly (stick) punched $\frac{1}{8}$ " to $\frac{1}{4}$ " off center. This causes the cable to pull sideways on the socket on the board. This can cause encoder faults, most commonly "Encoder Sensor Failure."

If you notice that the plug does not line up correctly on your installation and no Encoder faults are occurring, the hole in the box can be filed so the connector is centered in the hole, or new, longer stand-offs can be used to mount the board. Please contact O. Thompson for the stand-offs.

If you are experiencing faults and the connector does not line up, the Encoder power supply board should be replaced and a new board installed with longer stand-offs. Please contact O. Thompson for the board and the stand-offs.

Another common source of Encoder faults was outlined in Engineering Bulletin 105. On many installations, the LON network is not connected properly. The network was run to a terminal strip on the car, and from the terminal strip it was then routed to the Intelligent Car Station board and the Encoder board, creating two network 'branches.' This is not desirable, as network communication will not properly occur. The correct method of connecting the network is to route it from the controller MPU board to the Encoder board. The shield on the cable should be grounded on the controller side, and left disconnected at the Encoder. The network should then be wired to the Intelligent Car Station board. This cable should have its shield connected only at the Encoder board end. Please refer to the accompanying diagram.



If you have any questions on this or any other O. Thompson product please contact our Technical Support Department at (718) 417-3131.